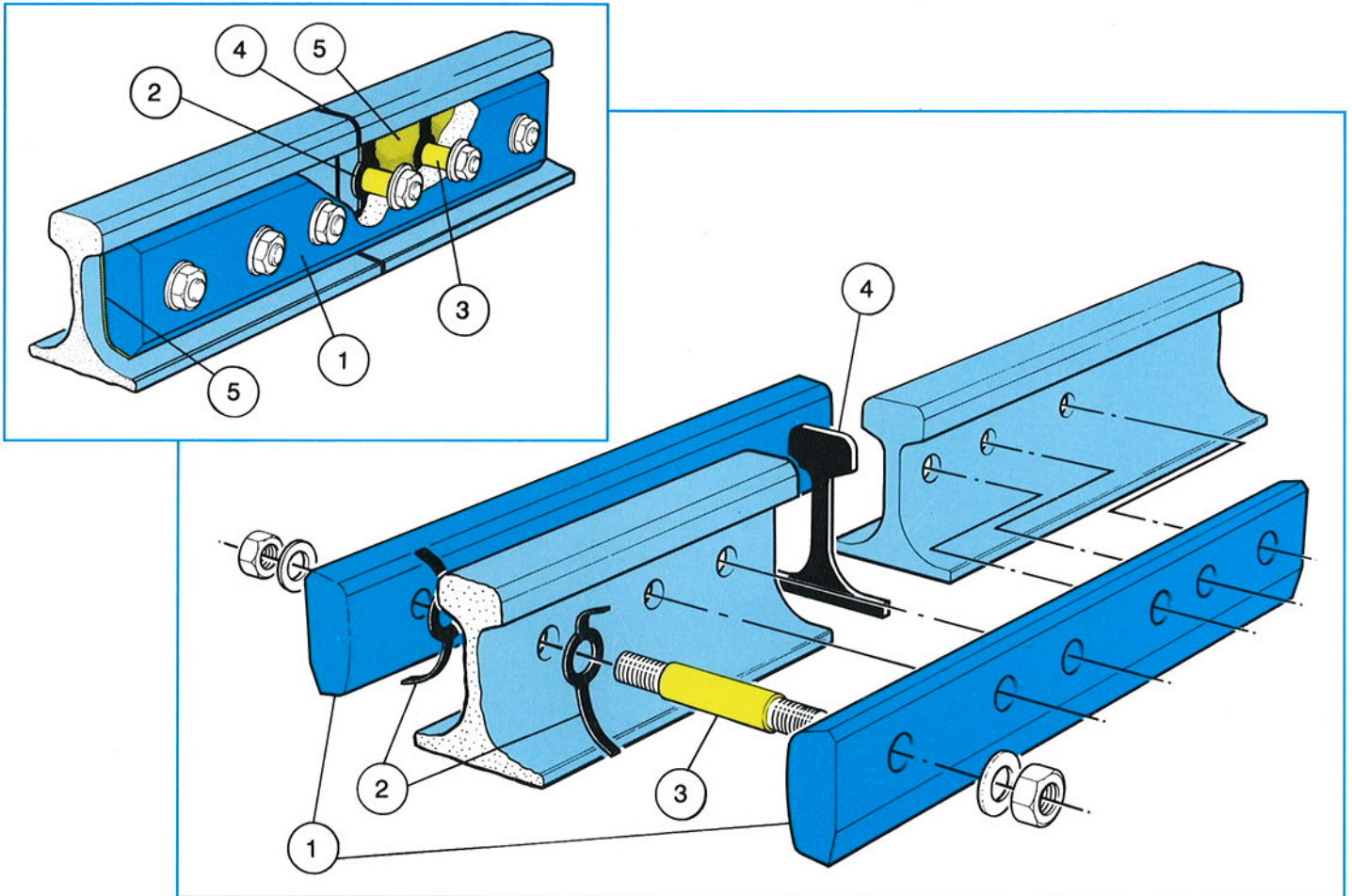


Insulate with Steel

DHJ INSULATED RAIL JOINT FROZEN (GLUED) FISHPLATE SYSTEM



- **FORGED STEEL FISHPLATE ①**
full profile for strength and rigidity
- **GLASS FILLED NYLON SPACER ②**
simply and efficiently separates fishplate from rail creating an even cavity for epoxy layer
- **HIGH TENSILE STUDS ③**
with insulation moulded directly on to the studs
- **GLASS FILLED NYLON END POST ④**
high impact resistance
- **INSULATING EPOXY ⑤**
high grade adhesive bonds fishplate to rail eliminating relative movement whilst also providing an insulating layer
- **HEAVY DUTY APPLICATION**
for continuously welded rail
- Protected by S.A. Patent 91/0110

Robb & Carter

Robb & Carter Manufacturing Co. (Pty) Ltd Telephone No: (011) 955 1010 Fax: (011) 664 6813
P.O.Box 3009 Kenmare, Transvaal 1745, Republic of South Africa