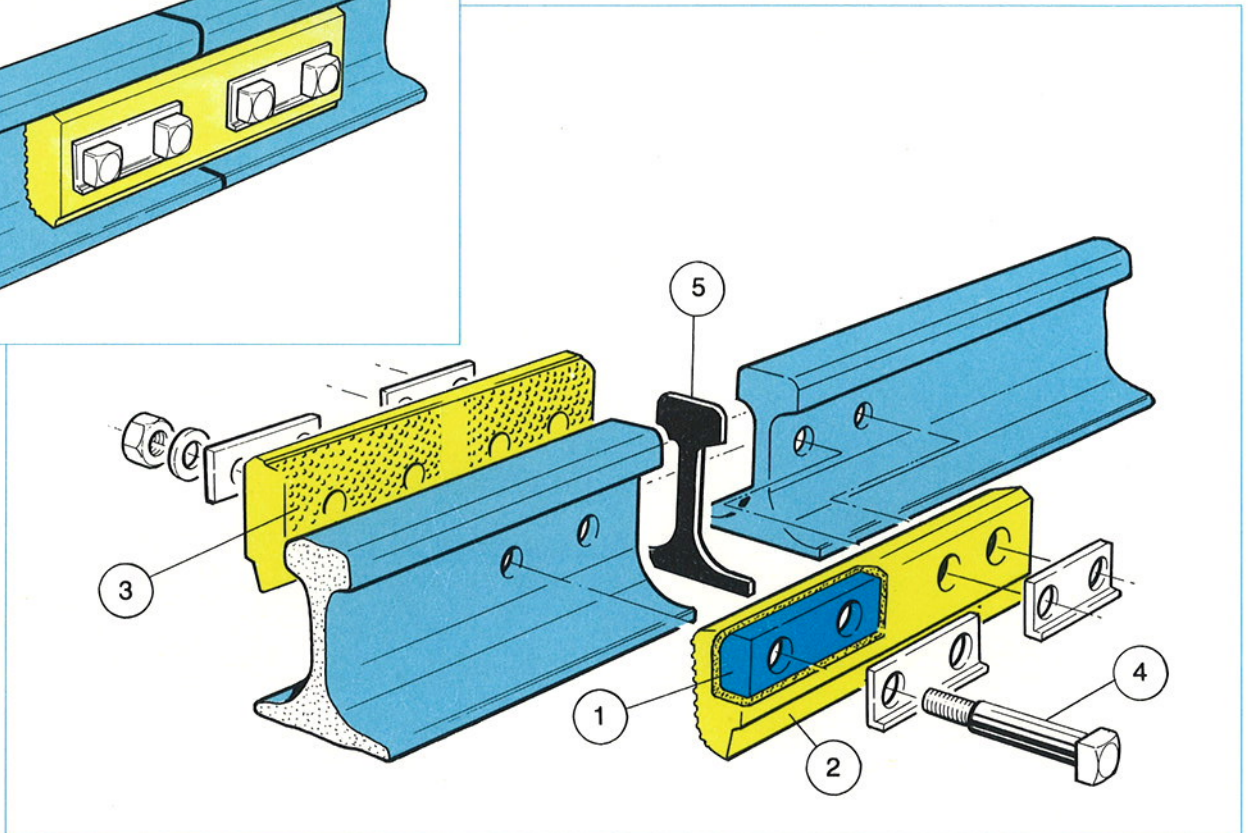
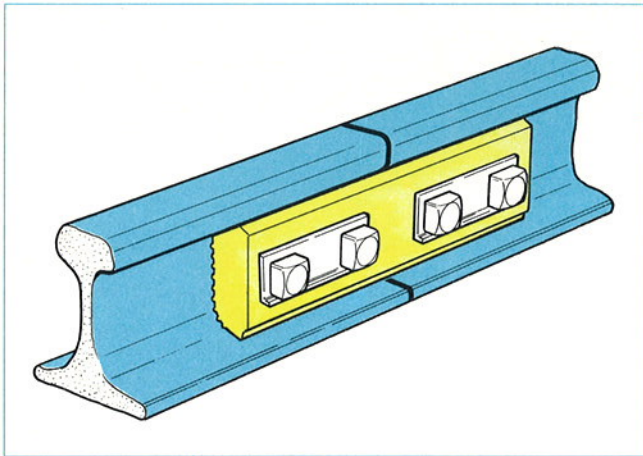


Insulate with Steel

PU INSULATED RAIL JOINT BLOCK JOINT SYSTEM



- **STEEL INSERT ①**
for strength and rigidity
- **POLYURETHANE INSULATION ②**
a high grade thermoset; excellent electrical insulation properties; virtually unaffected by moisture, temperature and sunlight; totally encapsulates the steel insert
- **DIMPLE DESIGN ③**
deforms on assembly to ensure maximum contact and load distribution on fishing area and web of rail
- **CLOSE FITTING BOLT ④**
assists location thus reducing relative movements; fitted with self locking nut
- **GLASS FILLED NYLON END POST ⑤**
high impact resistance effectively eliminates closure of rail gap
- **4 AND 6 HOLE VERSIONS**
- **LONG LIFE**
suitable for continuous welded or jointed rail
- Protected by S.A. Patent 83/0334

Robb & Carter

Robb & Carter Manufacturing Co. (Pty) Ltd. Telephone No.: (011) 955 1010 Fax: (011) 664 6813
P.O. Box 3009, Kenmare, Gauteng 1745, Republic of South Africa